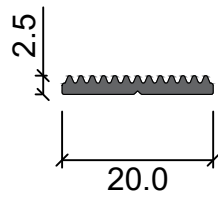
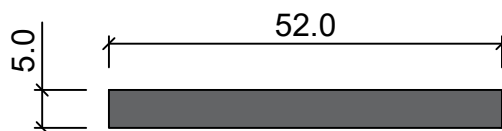


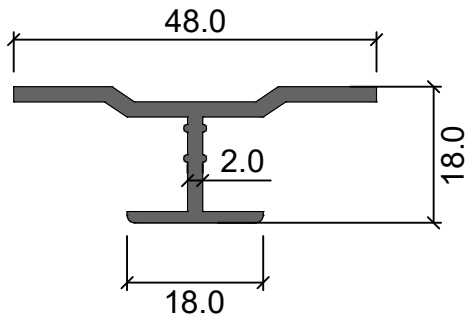
Profile Code	Weight (Kg/m)
STN 1	2.000



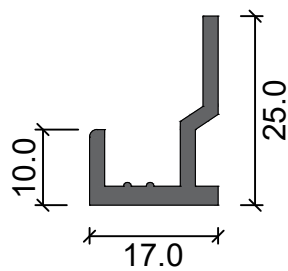
Profile Code	Weight (Kg/m)
STN 5	0.106



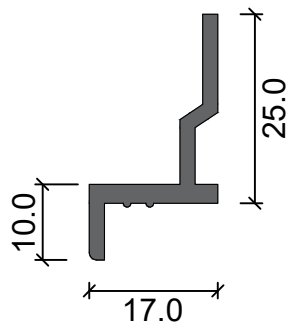
Profile Code	Weight (Kg/m)
STN 6	0.702



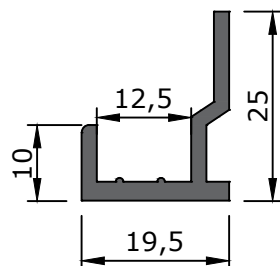
Profile Code	Weight (Kg/m)
STN 3	0.414



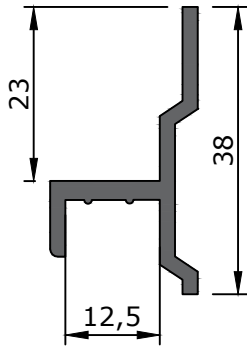
Profile Code	Weight (Kg/m)
STN 4	0.287



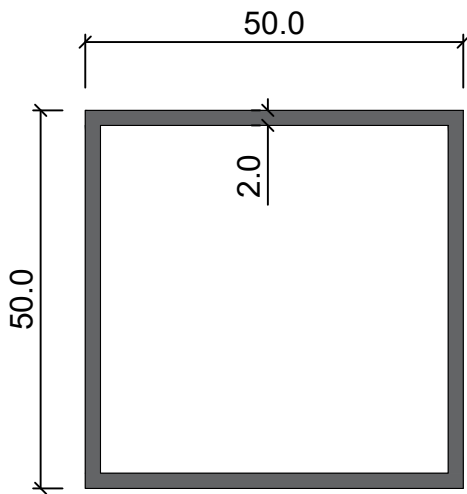
Profile Code	Weight (Kg/m)
STN 4-1	0.287



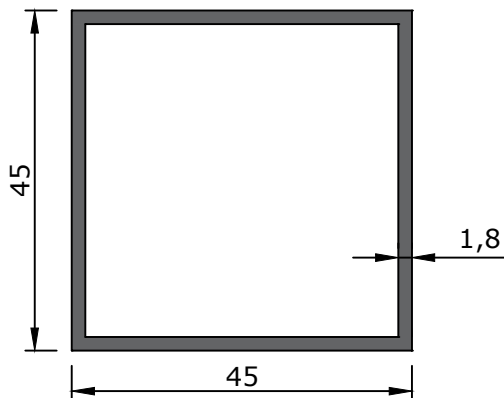
Profile Code	Weight (Kg/m)
STN 4-2	0.304



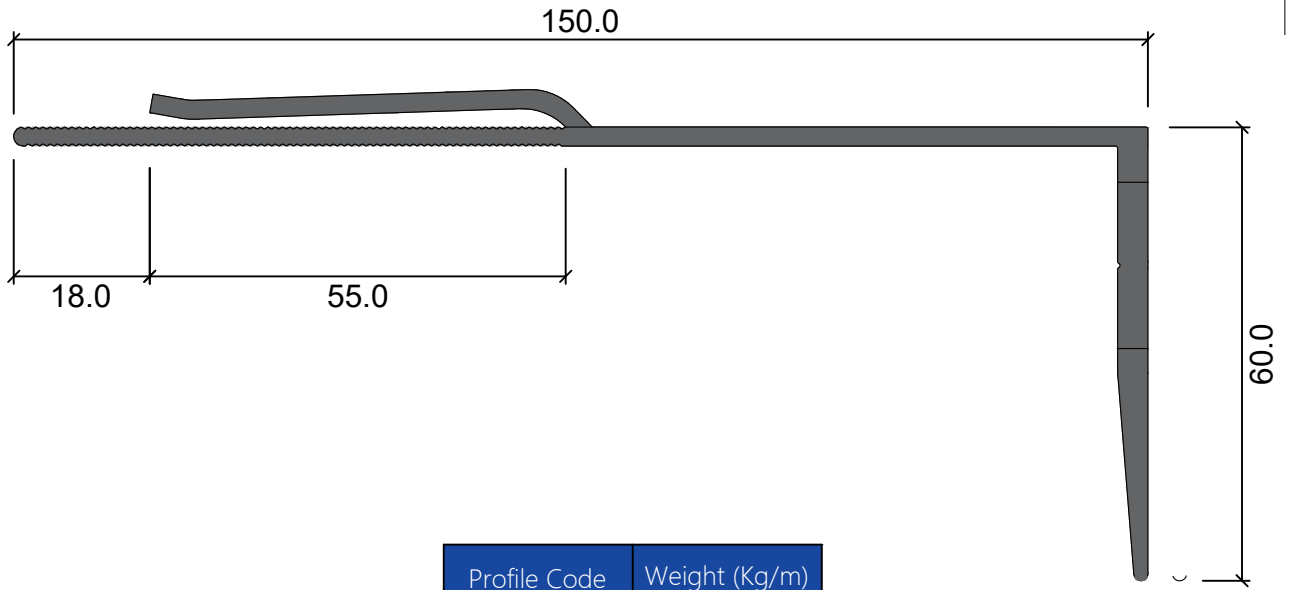
Profile Code	Weight (Kg/m)
STN 4-3	0.363



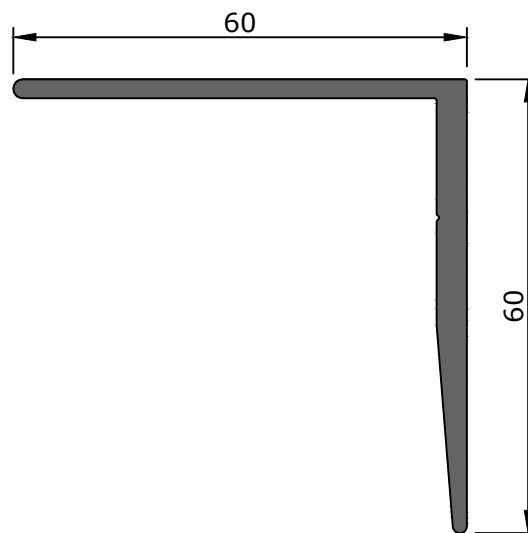
Profile Code	Weight (Kg/m)
STN 2	1.036



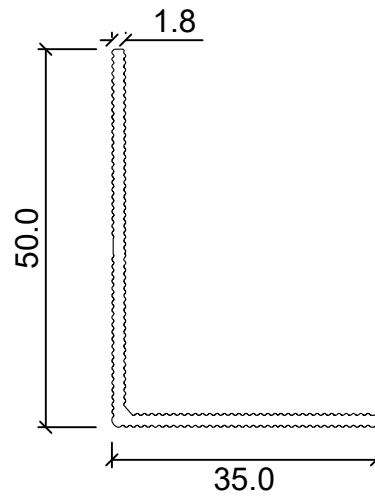
Profile Code	Weight (Kg/m)
STN 14	0.840



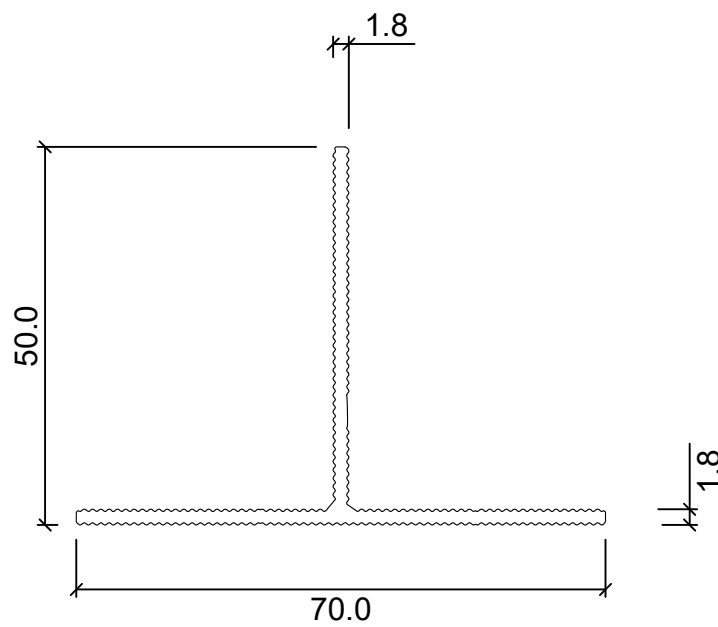
Profile Code	Weight (Kg/m)
STN 7	1.894



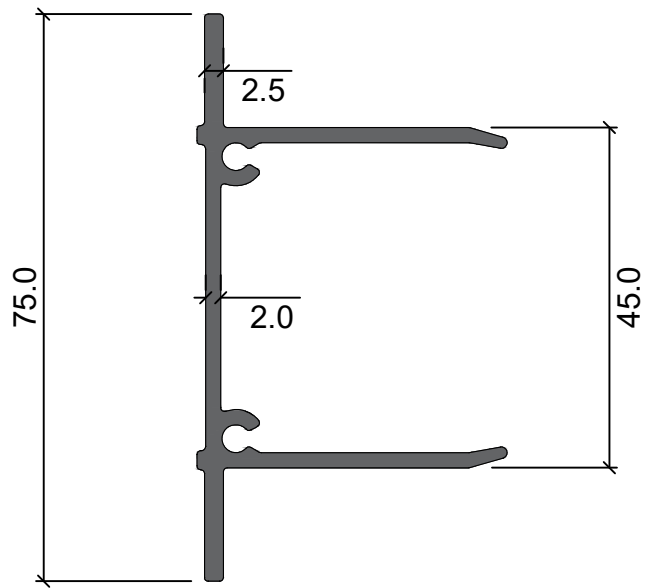
Profile Code	Weight (Kg/m)
STN 7-1	0.942



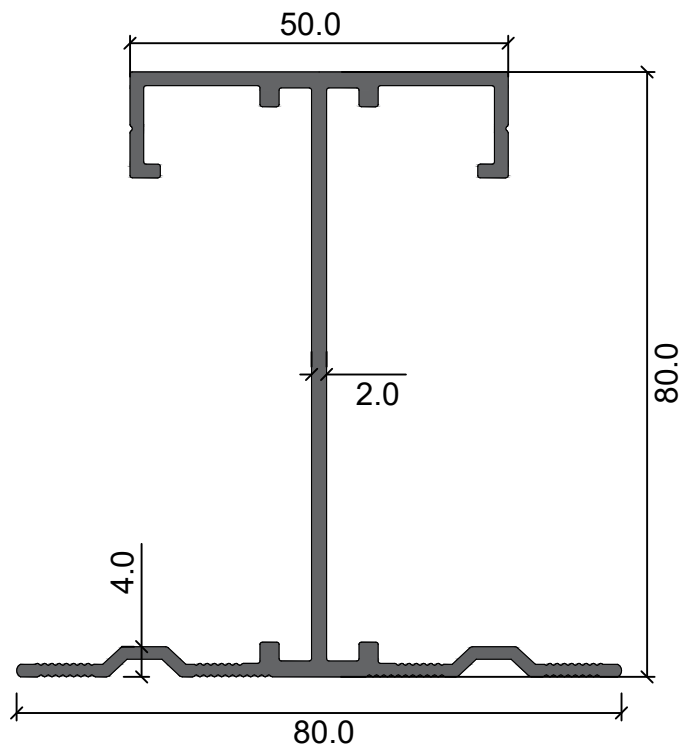
Profile Code	Weight (Kg/m)
STN -9	0.392



Profile Code	Weight (Kg/m)
STN 10	0.5840



Profile Code	Weight (Kg/m)
STN 11	0.9280



Profile Code	Weight (Kg/m)
STN 12	1.2510